

Honda Civic Hatchback - 2022 Onwards

Our ref: H0881

FITTING KIT CONTENTS:

- BOOT LINER
 - **2 x 330mm** 30mm wide self-adhesive loop fastener
 - **1 x tabs** self-adhesive loop fastener
- TAILGATE COVER
 - **20 x tabs** self-adhesive loop fastener



Rear Plus with Seat Split boot liner prepped for a seat flap, boot liner extension and bumper flap.



VERY IMPORTANT PREPARATION



To ensure the self-adhesive hook & loop fastener stick to the plastic trim, you **MUST CLEAN** all grime from the plastic and **REMOVE** all **SILICONE** applied during manufacture and valeting.

To do this please:

1. Use a silicone remover, such as AutoGlym Intensive Tar Remover, and apply generously to the surface you want to adhere to.
2. Using a separate clean, dry cloth, thoroughly dry the surface until the cloth starts to drag. Attach one self-adhesive fastener tab to see if it sticks. (Repeat steps 1 and 2 if necessary.) Extra tabs have been provided.
3. Attach the self-adhesive fasteners and let them fully adhere over the next 24 hours for the best bond.

**The self-adhesive fasteners cannot be used once they have been in contact with silicone. Replacement kits are available on our website.*



STEP 1. PREPARATIONS

- Remove the load cover. It may be replaced later.
- **HR3 ONLY:** Put the headrests in their highest position. (Image A)



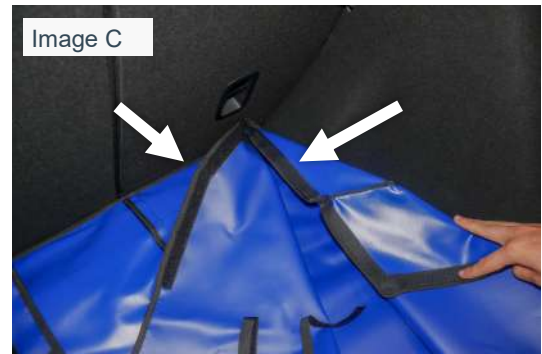
STEP 2. FITTING THE BASE

- Place the boot liner into the car boot with the Hatchbag logo at the seat end. Flatten the base so it fits snugly against the edges. The hook fasteners on the underside attach directly to the carpet. (Image B)



STEP 3. FITTING THE FRONT

- **PLUS / SPLIT VERSION ONLY** - Fasten the hook & loop fasteners between the side panels and the seat panel. (Image C)
- **HR3 ONLY:** Loop the elastic fastener strap around the middle headrest (Image D). Make sure to hold the front part of the base in position to avoid pulling the boot liner too far up.
- Then fasten the hook & loop fastener straps around both headrest posts on the left and right headrests. (Image D). Make sure to hold the front part of the base in position to avoid pulling the boot liner too far up.
- **HR2 ONLY:** Attach the hook fastener welded onto the reverse side of the boot liner seat panel directly to the carpet on the back of the seat.
- Loop the elastic fastener strap around the left and right headrest as shown on the middle headrest in Image D



REAR PLUS VERSIONS



You **MUST** unfasten the hook & loop fasteners and the headrest straps before you recline the upper part of the rear seats. (Please refer to **REAR PLUS / SPLIT** options on website to see detailed photo.)

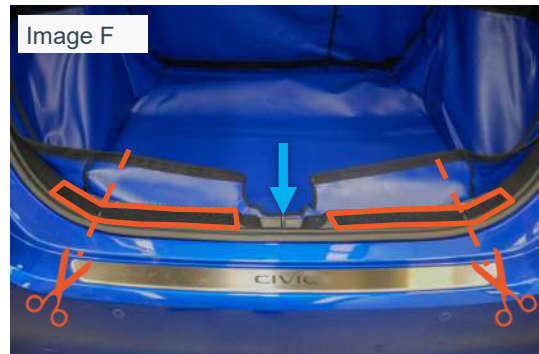
STEP 4. FITTING THE SIDES

- The side panels of the boot liner are attached directly to the carpeted area on the sides of the boot. Align the hook fasteners along the top and back edge of the boot liner side panel with the edges of the carpeted area. (Image E)



STEP 5. FITTING THE BACK

-  Stick 1 self-adhesive fastener tab to the inside center of the back panel, aligned with the hook fastener on the back panel of the boot liner. (blue arrow - Image F)
-  Stick the 2x 350mm fasteners to the panel located on either side of the lock at the tailgate end of the boot area. Snip the self-adhesive fastener strips at the corners to ease around the curve. Attach the boot liner to it using the hook fastener on the liner. (Image F&G)

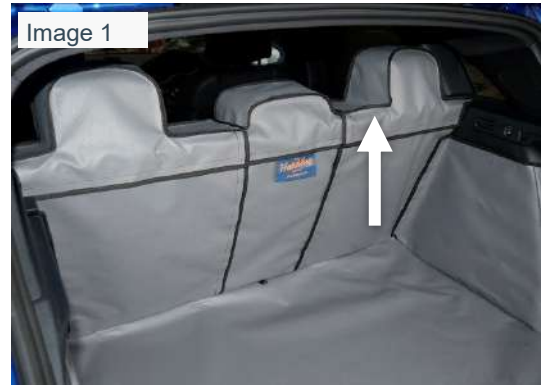


OPTIONAL EXTRAS

Please note: not all of the photographs are specific to your vehicle.

STEP 6A. SEAT FLAP & TAILORED SEAT FLAP

- The **Tailored** Seat flap is designed to protect the top of your rear seat giving additional protection from drooling dogs etc. (Image 1)
- Lower the headrests
- Attach the Tailored Seat Flap to the loop fastener strip on the Boot liner just below the top of the rear seats. (Image 2)
- The **Rectangular** Seat Flap is designed **only** to be used in conjunction with the **Rear Plus/Split**. With the rear seats in the folded position this flap extends the coverage over the exposed section of the seat backs and the headrests. (Image 3)



STEP 6B. TAILGATE COVER



Line up the tailgate cover with the tailgate and clean the areas where the self-adhesive loop fastener tabs will be stuck. (Image 4)

- Use the self-adhesive loop fastener tabs to attach the cover to the plastic trim.



STEP 6C. BUMPER FLAP

- Install the boot liner
- Attach the Bumper Flap to the loop fastener strip located at the base of the boot liner. (Image 5)
- The Bumper Flap either folds into the vehicle OR can be detached and stored elsewhere when you close the tailgate.



OPTIONAL EXTRAS PAGE 2

Please note: not all of the photographs are specific to your vehicle.

STEP 6D. BOOT LINER EXTENSION

The Boot liner extension provides superior protection for the rear seats when purchased with a REAR PLUS option.

- The Boot liner extension is designed to attach to a Rear Plus/Split version liner.
- It provides additional protection for the back of the front seats and the extended floor area when the rear seats are folded flat.
- It does not offer full protection to the rear doors
- Attach the Boot liner extension to the main boot liner (Image 6)
- Fasten the two ties in the corner together (Orange arrows - Image 7)
- Fasten the hook & loop fastener straps around the headrest posts. (Blue arrows - Image 7)
- Fasten ties to the corresponding rear seat striker loop (Green arrow - Image 8)
- Repeat on opposite side

Please Note: the Seat Flap, the Bumper Flap & the Boot liner Extension cannot be added at a later date.

STEP 6E. FREQUENT USE KIT

- If you frequently remove/install your boot liner from/to your vehicle, please note that the carpet will “fluff” up – we offer an alternative Frequent Use Fitting Kit. These tabs are placed between the boot liner and the boot carpet. (Image 9 & 10)

The Frequent Use Kit is an accessory available to purchase from our on-line store.

